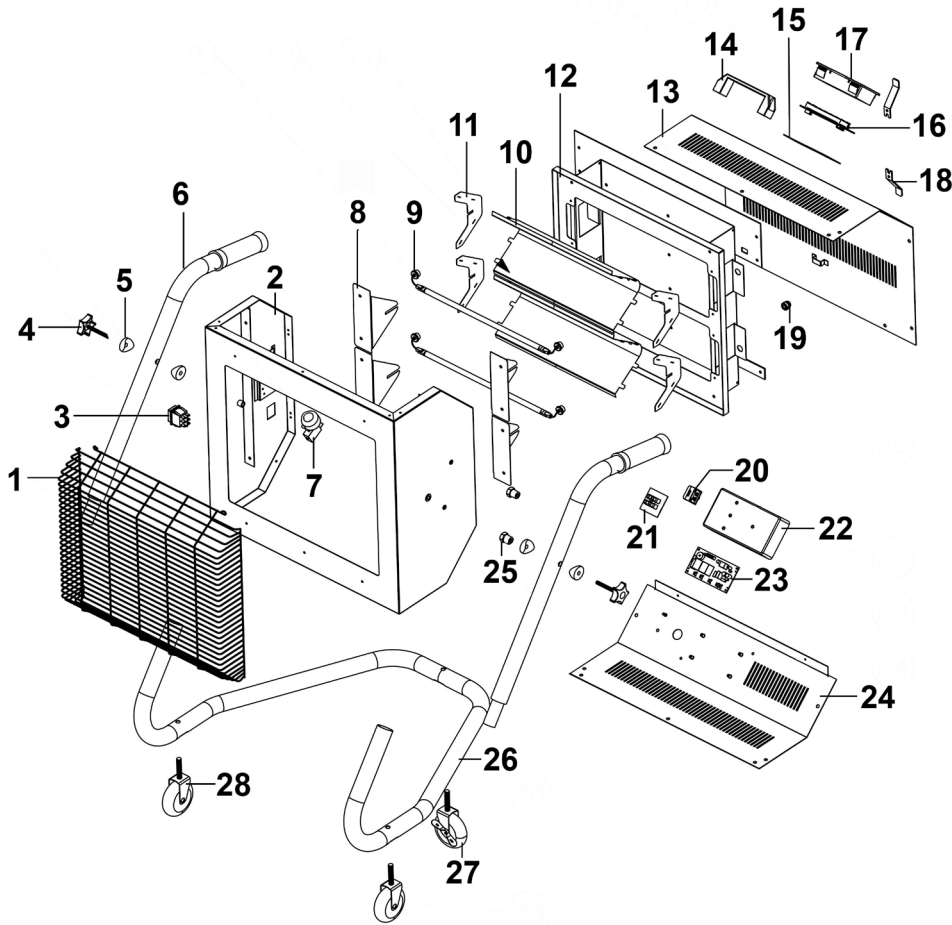




Parts Information:
Infrared Halogen Heater 1.4/2.8kW 230V
Infrared Halogen Heater 1.2/2.4kW 110V
Model No: IR15.V2 & IR15110V



Item	Part No.	Description	Qty
1	IR15.01	Front Guard	1
2	IR15.02	Main Body	1
3	IR15.03	On/Off Switch	1
4	IR15.04	Handle Adjustment Knob	2
5	IR15.05	Plastic Curved Washer	4
6	IR15.06	Handle	2
7	IR15.07	Tilt Switch	1
8	IR15.08	Infrared Lamp Holder	4
9	IR15.09	Ruby Halogen Infrared Elements 230V (IR15.V2 ONLY)	2
9	IR15110V.09	Ruby Halogen Infrared Elements 110V (IR15110V ONLY)	2
10	IR15.10	Reflector	2
11	IR15.11	Side Plate for Reflector	4
12	IR15.12	Reflector Plate Base	1
13	IR15.13	Rear Cover, Upper	1
14	IR15.14	Rear Handle	1

Item	Part No.	Description	Qty
15	IR15.15	PCB Base Support	1
16	IR15-V2-16	PCB (for Upper Unit)	1
17	IR15.17	PCB Cover (for Upper Unit)	1
18	IR15.18	Cable Hook	2
19	IR15.19	Thermocouple Grip	1
20	IR15.20	Cable Grip	1
21	IR15.21	Terminal	1
22	IR15.22	PCB Cover (for Lower Unit)	1
23	IR15.23	PCB (for Lower Unit)	1
24	IR15.24	Rear Cover, Lower	1
25	IR15.25	Stop Block	2
26	IR15.26	Stand Base	1
27	IR15.27	Wheel, Swivel Castor, Single Bolt (w/ Brake) (D: 63 W: 30 B: 8 H: 120)	2
28	IR15.28	Wheel, Swivel Castor, Single Bolt (D: 63 W: 30 B: 8 H: 120)	2

NOTE: It is our policy to continually improve products and as such we reserve the right to alter data, specifications and component parts without prior notice. There may be alternative versions of this product, please contact us should you require this information.

IMPORTANT: No liability is accepted for incorrect use of product. Spare parts must be fitted by a competent person

WARRANTY: Guarantee is 12 months from purchase date, proof of which will be required for any claim.

Sealey Group, Kempson Way, Suffolk Business Park, Bury St Edmunds, Suffolk. IP32 7AR



01284 757500



sales@sealey.co.uk



www.sealey.co.uk